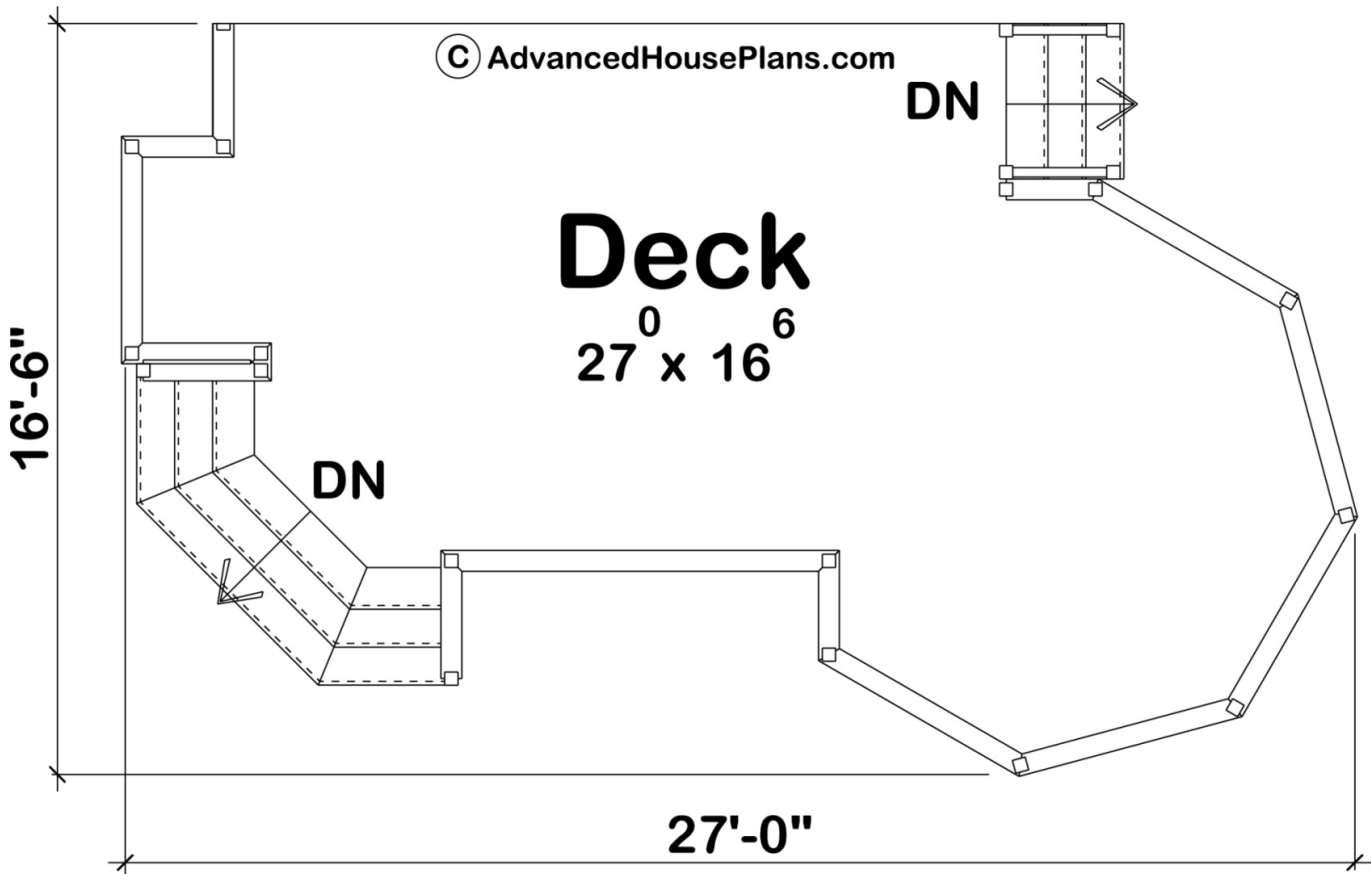


### 29601 - Recon Data Sheet

299 SQ FT	0 BEDS	0 BATHS	0 BAYS	27' 0" WIDE	17' 0" DEEP
--------------	-----------	------------	-----------	----------------	----------------



### Construction Specs

Layout

Square Footage

Main Level	299 Sq. Ft.
Total Finished Area	299 Sq. Ft.

### Exterior Dimensions

Width	27' 0"
Depth	17' 0"

### Default Construction Stats

*Stats are unique to the individual plan.*

Foundation Type	Post and Pier
Exterior Wall Construction	2x4